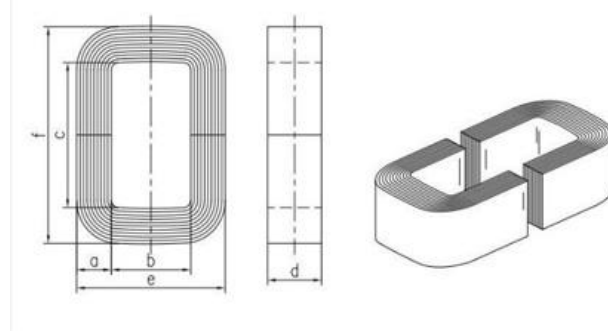


铁基非晶C型切割磁芯



型号	磁芯尺寸										性能参数				
	a(mm)	±	b(mm) ref*	c(mm) ref*	d(mm)	±	e(mm)	±	f(mm)	±	lm (cm)	Ac (cm ²)	Wa (cm ²)	Ap (cm ⁴)	Mass (g)
AMCC-4	9.0	0.50	10.0	32.80	15.0	0.50	28.0	1.50	50.80	1.25	12.20	1.11	3.30	3.60	99
AMCC-6.3	10.0	0.50	11.0	33.00	20.0	0.50	31.0	1.00	53.00	2.00	12.80	1.60	3.60	6.00	154
AMCC-8	11.0	0.80	13.0	30.00	20.0	0.50	35.0	1.00	52.00	2.00	13.00	1.80	3.90	7.00	172
AMCC-10	11.0	0.80	13.0	40.00	20.0	0.50	35.0	1.00	62.00	2.00	15.40	1.80	5.20	9.40	198
AMCC-16A	11.0	0.80	13.0	40.00	25.0	0.50	35.0	1.00	62.00	2.00	15.10	2.30	5.20	11.70	248
AMCC-16B	11.0	0.80	13.0	50.00	25.0	0.50	35.0	1.00	72.00	2.00	17.00	2.30	6.50	14.70	281
AMCC-20	11.0	0.80	13.0	50.00	30.0	0.50	35.0	1.00	72.00	2.00	17.50	2.70	6.50	17.60	337
AMCC-25	13.0	0.80	15.0	56.00	25.0	0.50	41.0	1.00	82.00	2.00	19.60	2.70	8.40	22.40	379
AMCC-32	13.0	0.80	15.0	56.00	30.0	0.50	41.0	1.00	82.00	2.00	20.00	3.20	8.40	26.90	454
AMCC-40	13.0	0.80	15.0	56.00	35.0	0.50	41.0	1.00	82.00	2.00	19.90	3.70	8.40	31.30	530
AMCC-50	16.0	1.00	20.0	70.00	25.0	0.50	52.0	1.00	102.00	3.00	24.90	3.30	14.00	45.90	586
AMCC-63	16.0	1.00	20.0	70.00	30.0	0.50	52.0	1.00	102.00	3.00	25.30	3.90	14.00	55.10	703
AMCC-80	16.0	1.00	20.0	70.00	40.0	1.00	52.0	1.00	102.00	3.00	25.40	5.20	14.00	73.50	938
AMCC-100	16.0	1.00	20.0	70.00	45.0	1.00	52.0	1.00	102.00	3.00	25.00	5.90	14.00	82.70	1055
AMCC-168S	20.4	0.50	30.0	154.20	20.0	0.50	70.5	1.25	195.00	3.00	45.40	3.35	45.80	153.20	1101
AMCC-125	19.0	1.00	25.0	83.00	35.0	1.00	63.0	1.00	121.00	3.00	30.20	5.50	20.80	113.10	1166
AMCC-160	19.0	1.00	25.0	83.00	40.0	1.00	63.0	1.00	121.00	3.00	28.50	6.20	20.80	129.30	1333
AMCC-200	19.0	1.00	25.0	83.00	50.0	1.00	63.0	1.00	121.00	3.00	29.80	7.80	20.80	161.60	1666
AMCC-367S	25.8	1.00	67.0	97.80	25.0	0.70	117.6	1.50	149.40	1.50	43.78	5.29	63.81	340.10	1668
AMCC-250	19.0	1.00	25.0	90.00	60.0	1.00	63.0	1.00	128.00	3.00	31.40	9.30	22.50	210.30	2095
AMCC-320	22.0	1.00	35.0	85.00	50.0	1.00	79.0	1.00	129.00	4.00	32.50	9.00	29.80	268.30	2167
AMCC-400	22.0	1.00	35.0	85.00	65.0	1.00	79.0	1.00	129.00	4.00	33.60	11.70	29.80	348.80	2817
AMCC-500	25.0	1.00	40.0	85.00	55.0	1.00	90.0	1.00	135.00	4.00	35.60	11.30	34.00	383.40	2890
AMCC-630	25.0	1.00	40.0	85.00	70.0	1.00	90.0	1.00	135.00	4.00	35.60	14.30	34.00	487.90	3678
AMCC-800A	25.0	1.00	40.0	85.00	85.0	1.50	90.0	1.00	135.00	4.00	35.60	17.40	34.00	592.50	4466
AMCC-800B	30.0	1.00	40.0	95.00	85.0	1.50	100.0	1.00	155.00	4.00	39.30	21.00	38.00	794.60	5972
AMCC-1000	30.0	1.00	40.0	105.00	85.0	1.50	106.0	1.00	171.00	5.00	42.70	23.00	42.00	966.00	7109

备注：尺寸可定制。